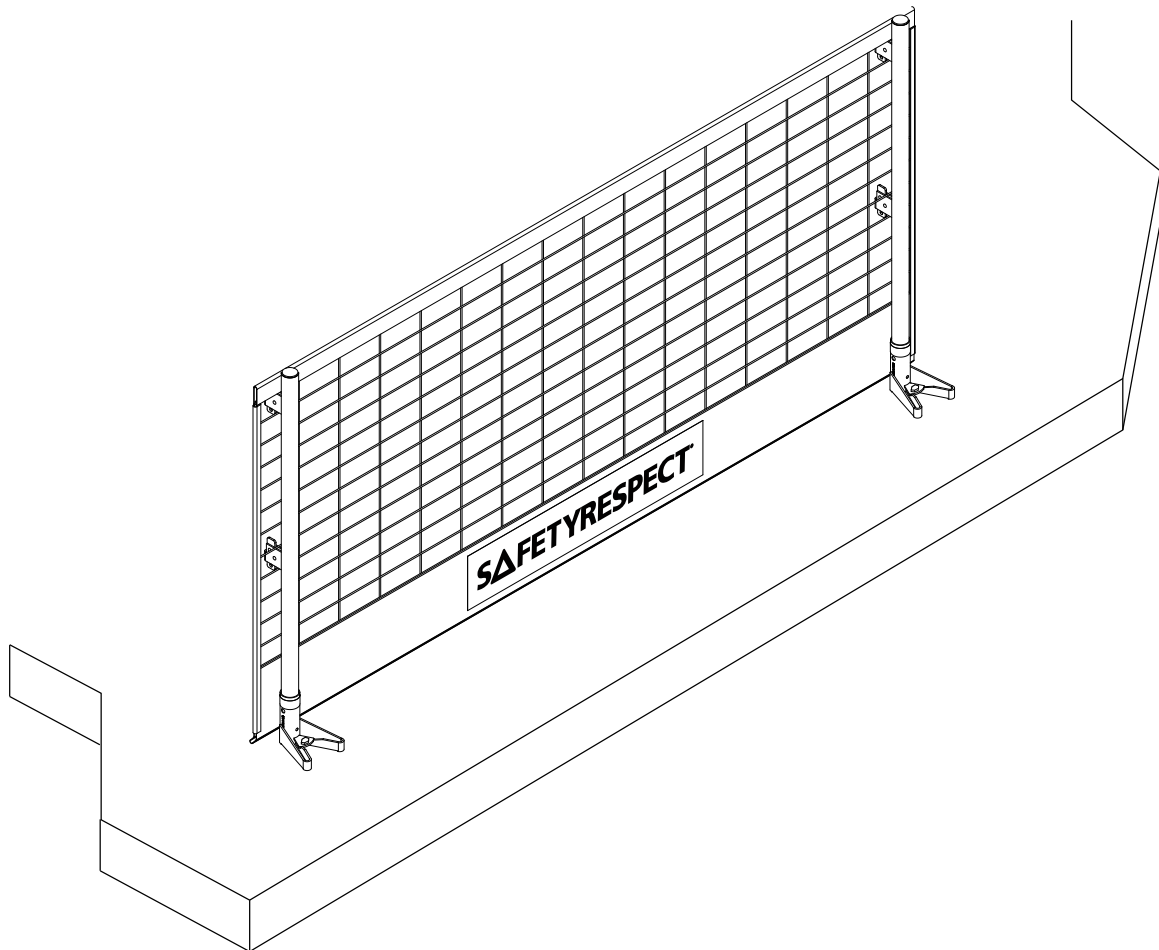


TEMPORARY EDGE PROTECTION SYSTEM

USER MANUAL



CONTENT

General information	3
Safety	3
Check material	3
Classes	4
Marking.....	5
Planning and positioning.....	6
Configurations and classes.....	7
Mounting	8
Products.....	9
Maintenance	11
SafetyCheck	12

GENERAL INFORMATION

Temporary edge protection systems are used in construction work primarily to prevent people and objects from falling to lower levels from roofs, edges, stairs, and other areas where protection is required. SafetyRespect's products meet the requirements of EN 13374.

In most European countries, temporary edge protection or other types of fall protection systems are required when a risk assessment identifies a fall hazard, regardless of height. Unlike being secured with a lifeline, guardrails provide greater mobility in the work area.

Remove snow and ice that can increase the load on the system. Barriers must never be covered with scaffolding netting or similar materials that affect wind loads.

The maximum center-to-center distance between posts is 2.4 meters for class A-B and 1.2 meters for class C.

Carry out a risk assessment and plan fall protection well in advance. Before work begins, fall hazards – including slip risks – must be assessed and addressed. Implement preventive protective measures in accordance with AFS 2023:10 or other applicable national regulations. If there is a risk of slipping on sloped surfaces, measures must be taken to prevent all types of sliding after a fall, even over short distances. A guardrail system is not a preventive measure against such a risk.

Follow the installation instructions and ensure that screws and fastenings are properly tightened. Product-specific installation information can be found in the respective product sheet/brochure.

The products are certified by RISE.



SAFETY

To reduce risks at the worksite, make a documented risk assessment and action plan. The following risks and measures must always be taken into consideration when installing:



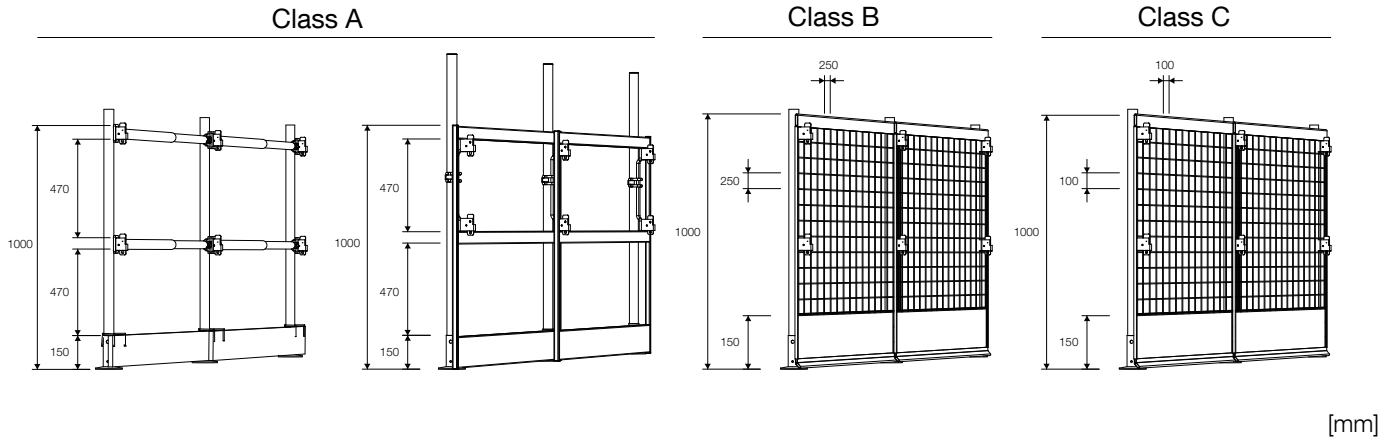
CHECK MATERIAL

Check all parts for mounting. If in doubt, contact the fall protection adviser, replace or discard damaged material.



EN 13374 – CLASSES

The European standard EN 13374 specifies product specifications and testing procedures for temporary edge protection systems used during the construction or maintenance of buildings and other structures. The edge protection must be at least 1 meter high, and the toeboard must be at least 150 mm high. Openings between the edge protection system and adjacent structures must be less than 120 mm horizontally. The distance below the toeboard must be less than 20 mm vertically.



[mm]

CLASS A

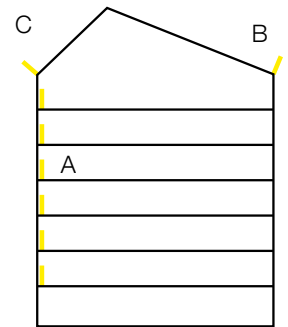
- Static load equivalent to a person leaning or falling against the edge protection, plus wind load.
- Work surfaces up to 10° incline.
- Vertical openings max 470 mm.

CLASS B

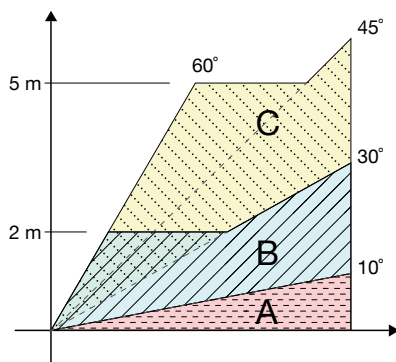
- Static load and dynamic loads equivalent to a person leaning or falling against the edge protection, plus wind load.
- Work surfaces between 10°–30° incline and up to 60° if the fall height (Hf) is less than 2 m.
- Vertical and horizontal openings max 250 mm.

CLASS C

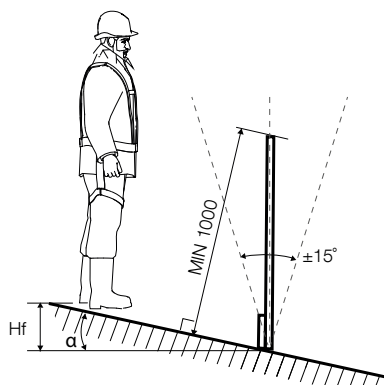
- Dynamic load equivalent to a person falling against the edge protection.
- Work surfaces between 30°–45° incline and up to 60° if the fall height (Hf) is less than 5 m.
- Vertical and horizontal openings maximum 100 mm.



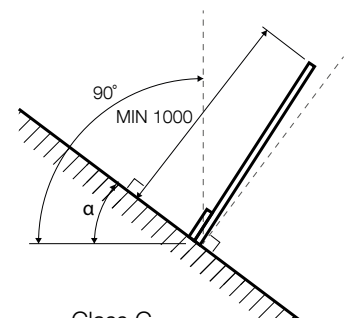
Fall height (Hf)



Incline (α)



Class A, B



Class C

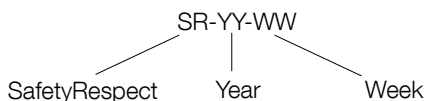
MARKING

All barriers and posts are marked with:

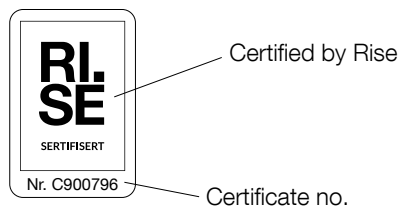
- Batch number
- Certificate
- EN 13374 + class (ABC)

The marking can be a sticker or stamped onto the product.

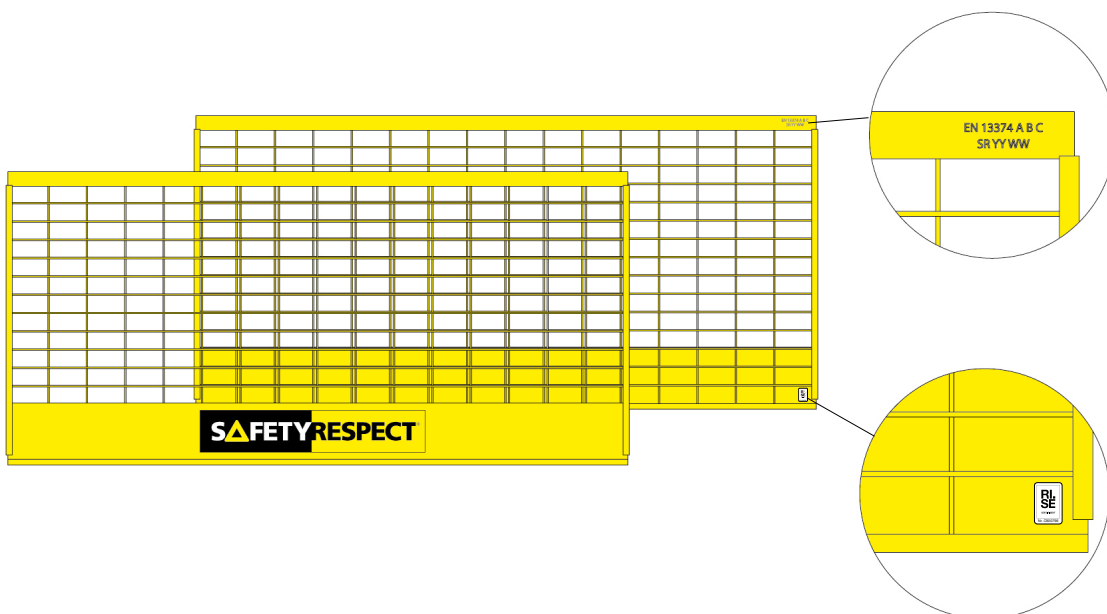
Batch number:



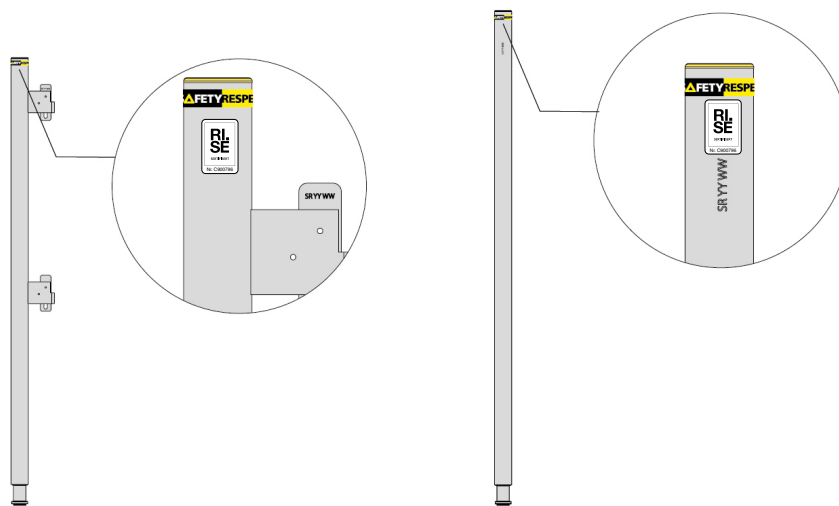
Certificate:



Barrier

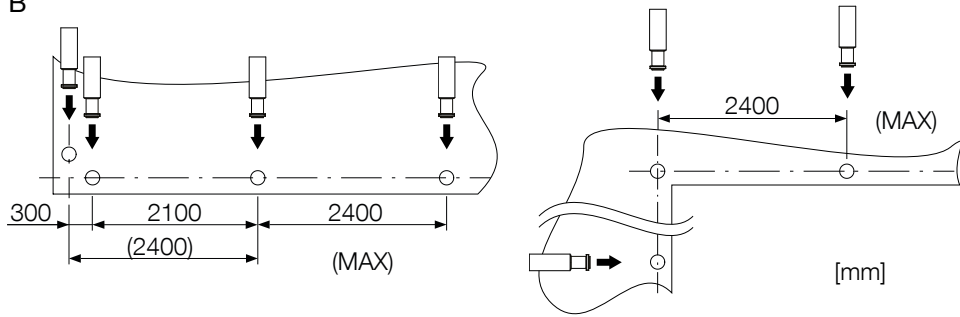


Post

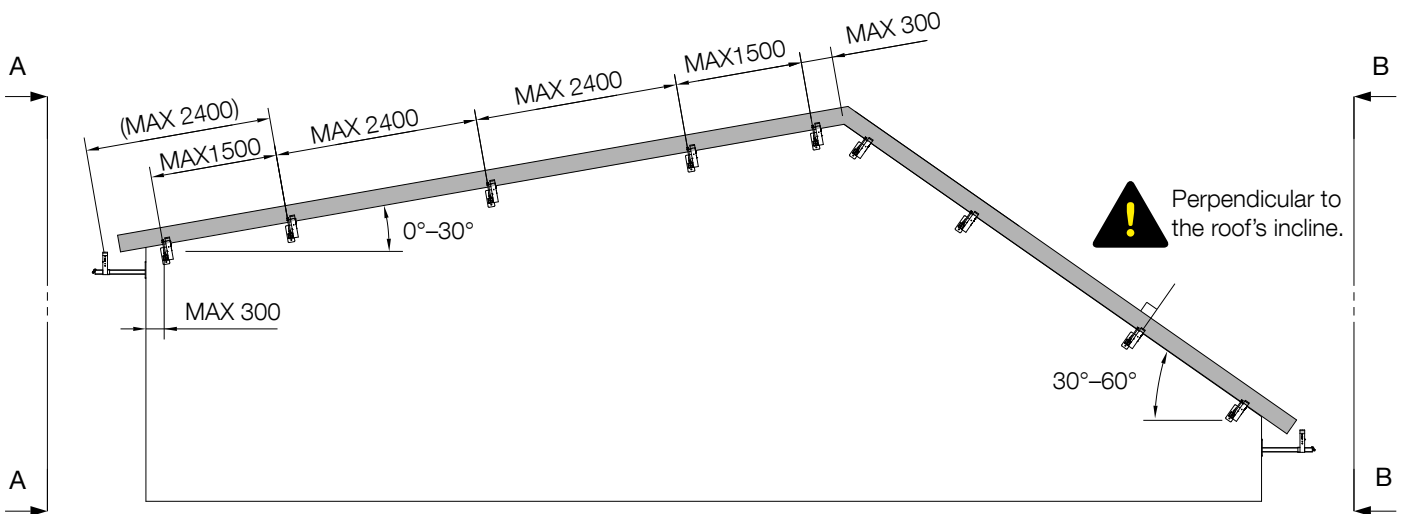
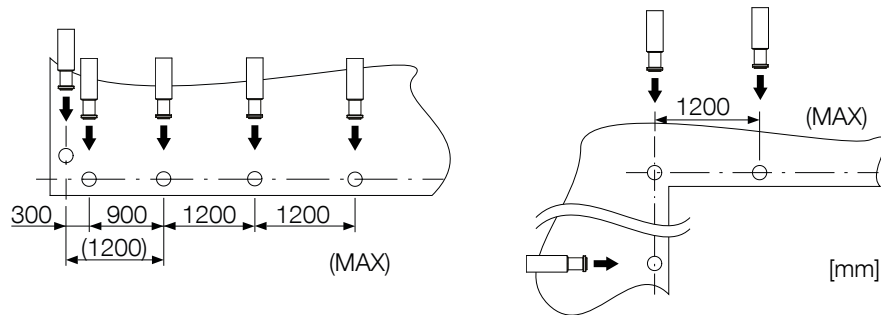


GENERAL PLACEMENT

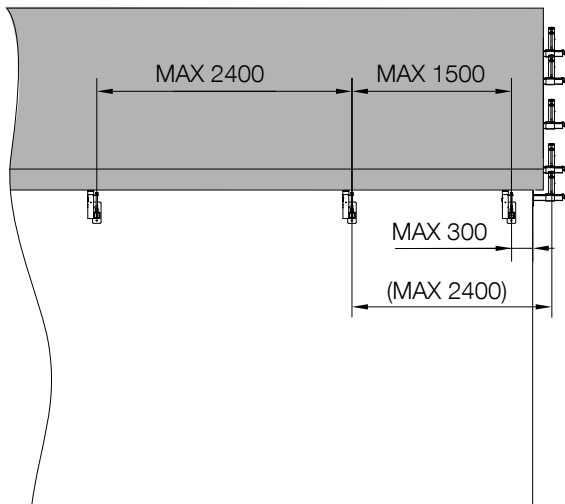
Class A and B



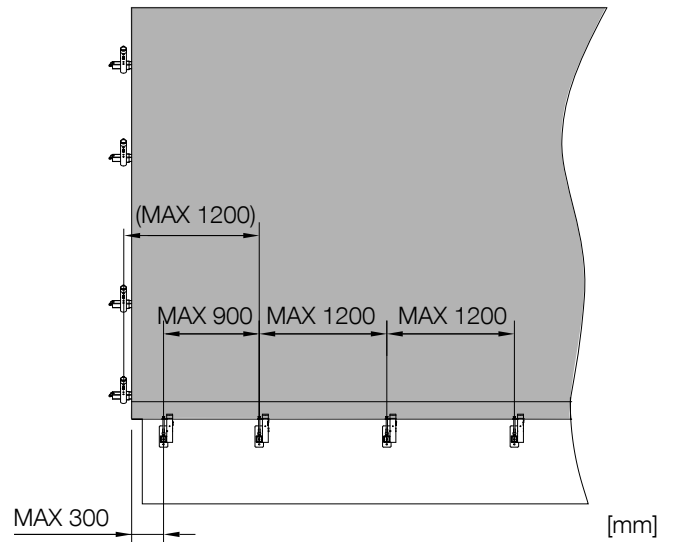
Class C



A-A
Class A and B



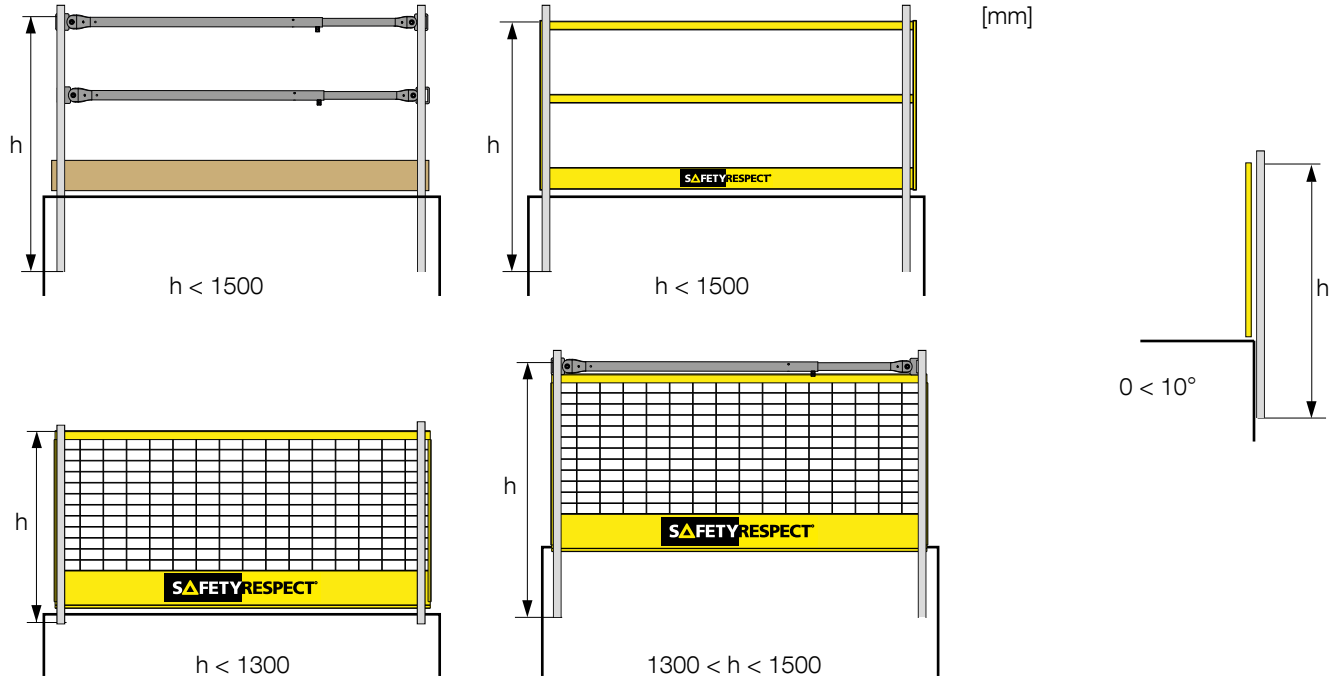
B-B
Class C



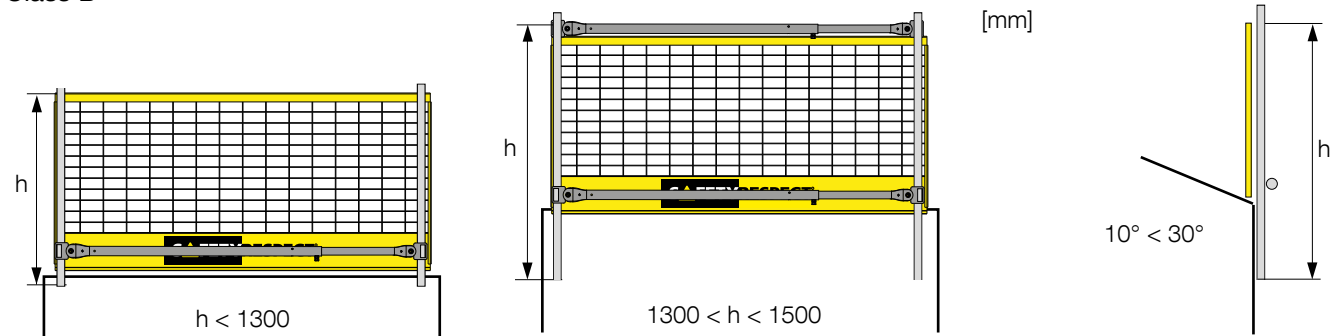
CONFIGURATIONS AND CLASSES

Height of fall protection (h) from the base of the post. Product-specific limitations are available in the respective product sheet/brochure. For other configurations, please contact SafetyRespect.

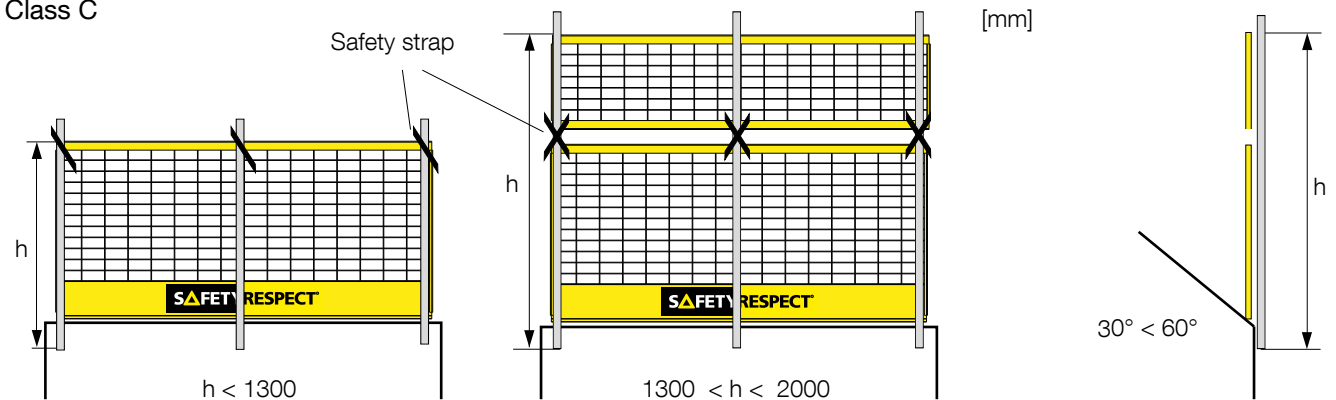
Class A



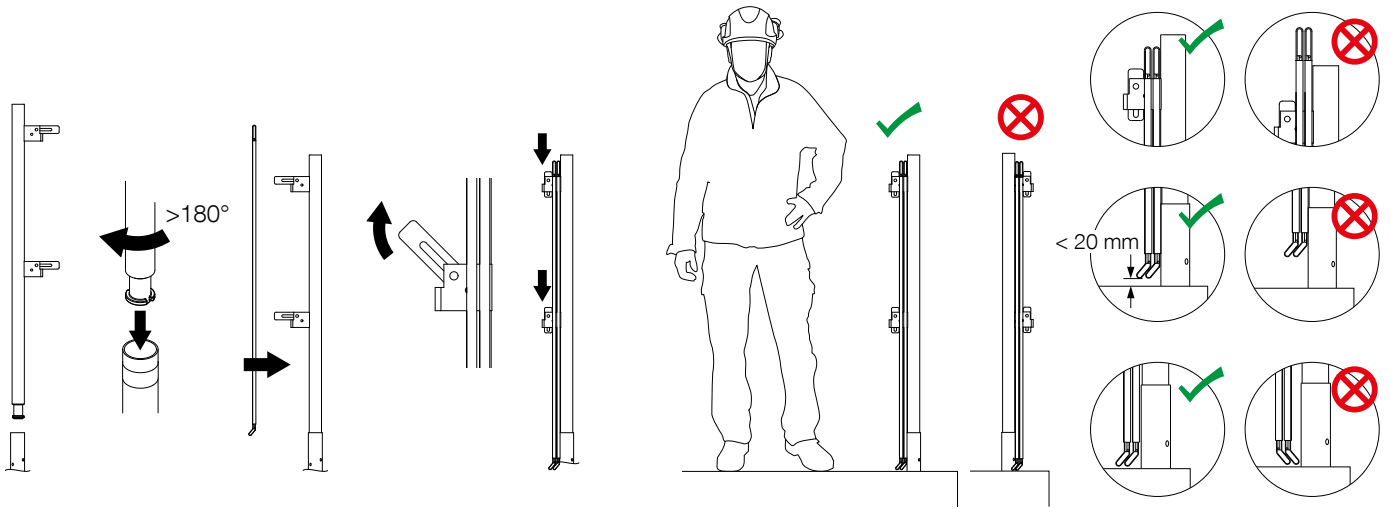
Class B



Class C



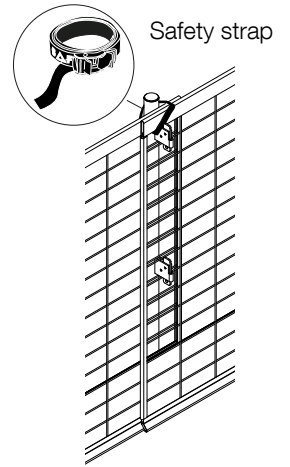
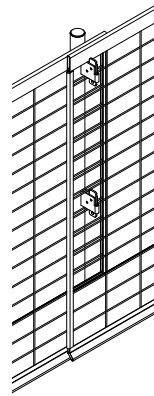
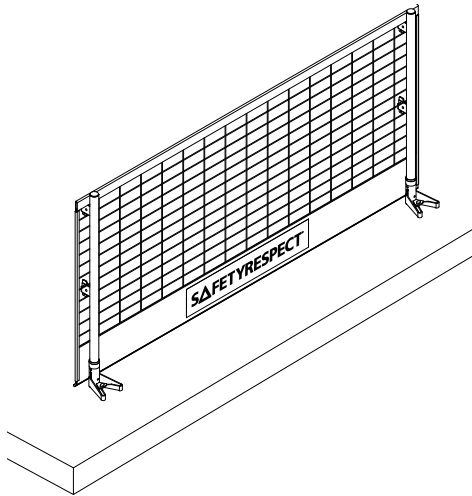
MOUNTING



TEMPORARY EDGE PROTECTION

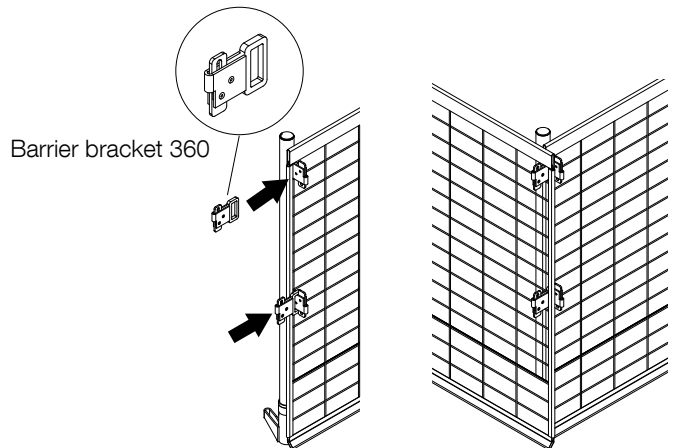
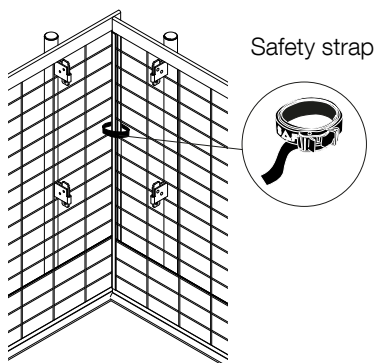
Class A, B

Class C



Outer corner

Inner corner



LIST OF PRODUCTS

Product-specific installation information is provided in the respective product sheet/brochure, which includes:

- name
- part number
- dimensions, weight, surface treatment, standard, and class
- transport information
- characteristic pull-out load/moment
- drawing
- assembly sequence and usage.

Available digitally at: <https://www.safetyrespect.com/documents-for-download/>

NO.	PART NO.	NAME
1	912119	Precast bracket
2	912125	Precast bracket 10°
3	912151	Balcony bracket
4	912161	Balcony bracket 10° v2
5	912110	Socket base
6	912182	Bolt group bracket
7	914043	Flex facade bracket 280
8	914118	Flex facade bracket 400
9	914119	Flex facade bracket 600
10	914124	Flex roof gable bracket
11	914123	Flex eave bracket
12	914129	Flex eave bracket L 1000
13	914125	Flex eave bracket counterhold L 600
14	919205	Flex vertical beam
15	911114	Socket with reebar 400
16	911210	Precast socket WT-150
17	911200	Precast socket wall
18	911108	Precast socket
19	930103	Standing seam bracket
20	911112	Precast edge holder
21	919015	Barrier bracket wedge coupler
22	919016	Barrier bracket wedge coupler dbl.
23	919014	Barrier bracket wedge coupler 42 mm
24	919010	Barrier bracket 360

PRODUCTS

NO.	PART NO.	NAME
25	913322	Adjustable link bars 0,58–0,78
26	913321	Adjustable link bars 0,96–1,5
27	913320	Adjustable link bars 1,5–2,5
28	913330	Adjustable link bars 2,4–3,5
29	913121	Barrier 1,3
30	913131	Barrier 1,95
31	913111	Barrier 2,6
32	913113	Half barrier 2,6
33	913151	Frame barrier 1,3 alu
34	913161	Frame barrier 1,95 alu
35	913141	Frame barrier 2,6 alu
36	919021	Frame barrier holder
37	919025	Frame barrier holder 360
38	912117	Side bracket 180
39	912123	Side bracket 180 10°
40	912181	Sheet piling bracket
41	919030	Compression post 2,2–3,5 m
42	911110	Post 1,3
43	911116	Post 1,5 alu
44	912105	Post foot
45	914001	Welding socket 120
46	914007	Welding socket 150 sparse bottom
47	914008	Welding socket 150 with bottom
48	914009	Welding socket 150 no bottom
49	912209	Steel beam clamp
50	911320	Stair bracket with spacers
51	912174	Wooden beam clamp
52	912245	Clamp 300
53	912220	Clamp 550
54	912118	Vertical bracket
55	912121	Wall bracket

MAINTENANCE AND REPAIRS

REPAIR AND INSPECTION AFTER USE

SafetyRespect's products should always be inspected by a person with sufficient knowledge before they are used again. After a fall, the system should only be reused after being inspected and repaired by a competent person (see below).

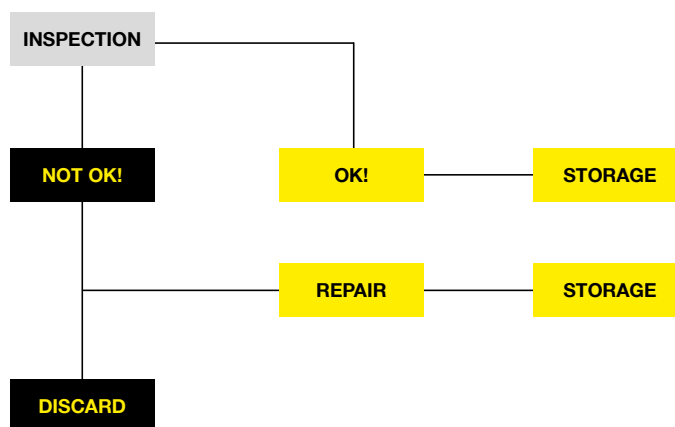
INSPECTION

SafetyRespect's products should be inspected daily to ensure that the system has not been affected by external influences that could risk impairing strength and other properties.

Check that:

- Parts fit together as they should.
- No deformations are present.
- No cracks have developed.
- No modifications have been made to the products.
- No signs of rust are present.
- No other external influences are present.

Clean the parts if necessary.



COMPETENT PERSON

A competent person is someone who has been trained and authorized by SafetyRespect to perform inspections and repairs.

DISMANTLING

During dismantling, the assembly instructions should be followed in reverse order.

STORAGE AND HANDLING

SafetyRespect's products should be stored in a dry and weather-protected place. Storage should not be near heat sources, corrosive substances, acids, solvents, oils, etc.

SAFETYCHECK

WORKPLACE		DATE	
Location		Order no.	
Site manager		Check no.	

SITE/PART OF BUILDING			
1		3	
2		4	

CHECK POINTS	YES	NO	REFERENCE	REMARKS
Are the current installation instructions available?			This manual	
Have recommended safety measures been implemented?			Page 3	
Are the components free from damage?			Page 3	
Have the brackets been installed according to the general placement instructions?			Page 6	
Are the brackets correctly installed according to the product-specific information?			Page 9	
Are the posts correctly mounted in the brackets?			Page 8	
Are the barriers mounted in the right direction and on the right side of the posts?			Page 8	
Are the barriers correctly secured with the barrier locks?			Page 8	

SAFETYCHECK CONDUCTED BY			
Date		Signature	