




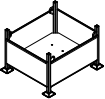





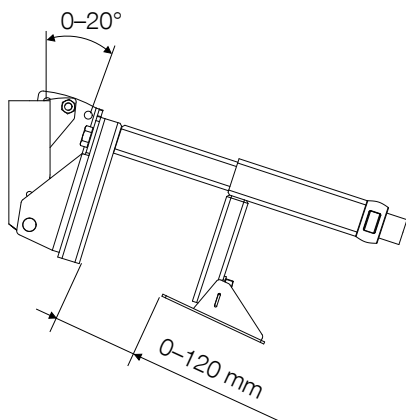
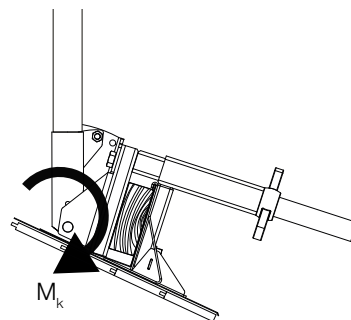
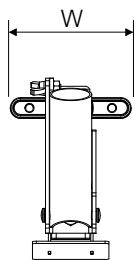
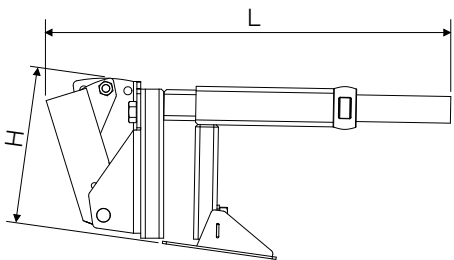
PART NO. 930102

BRACKET FOR ROOF GUTTER

Fotrännefäste | Fotrennefeste | Laikiklis tvirtinimui ties stoglatakiu | Çati oluğu braketi | Halterung für Dachrinne

-  L: 555 mm
-  W: 158 mm
-  H: 183 mm
-  6,8 kg
-  Steel + Zn (hot dip galvanized)

-   1,03 × 0,91 × 0,65 m
-  244 kg
-  30 pcs



BENDING MOMENT (Q) ¹ (Unfactored)	
M _k	520 Nm
¹) Loads acc. to EN 13374:2013 $Q_{ki} \times \gamma_F^* = E_d \leq R_d = R_k / \gamma_{M} (K_{mod}^{**})$ * $\gamma_F = 1,5$ ** for timber	

