






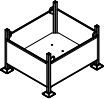



PART NO. 912320

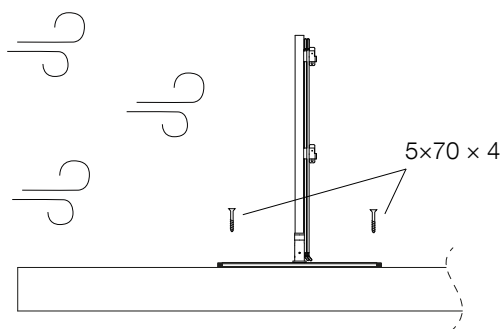
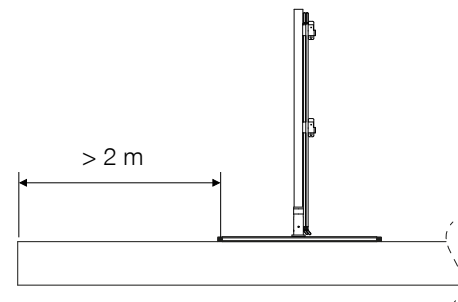
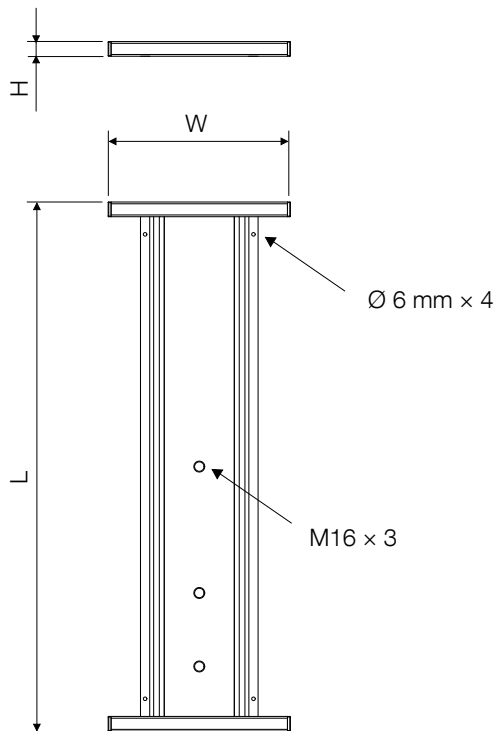
GROUND SUPPORT PLATE

Markstöd platta | Markstøtte plate | Pagrindo atramine plokštė | Zemin destek plakasi 0,9m | Bodenstützplatte | Maatuki

-  L: 900 mm
-  W: 300 mm
-  H: 25 mm
-  7,9 kg
-  Steel + Zn + Powder coating



-   1,03 × 0,91 × 0,65 m
-  277 kg
-  30 pcs



912247

